

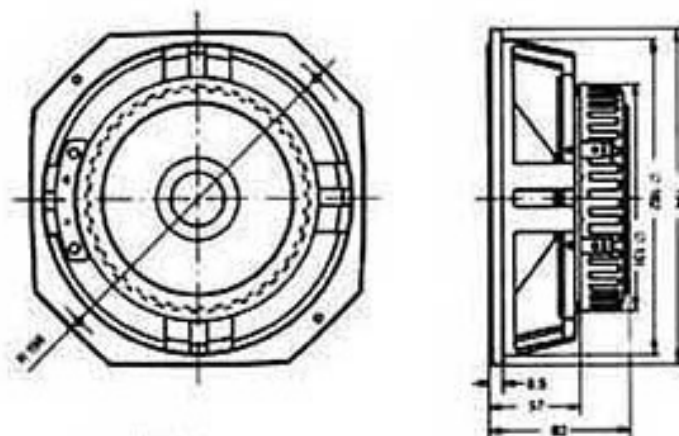
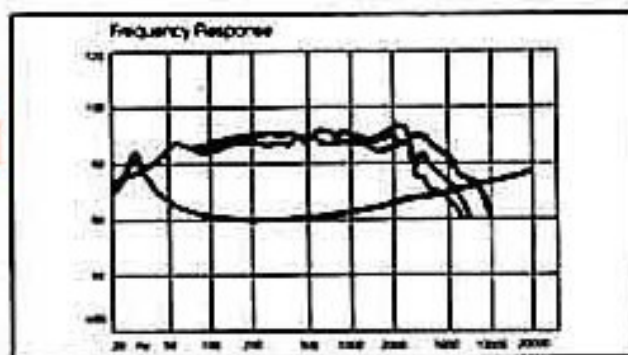
FOSTEX

18 cm Carbon-Aramid woofer

FW180



- Suitable as extended woofer or midbass in four-way-combinations or bass in small two-way combinations.



Unit: mm

Specifications

- Impedance 8Ω
- Min. resonance frequency 28Hz
- Reproduction frequency response $f_0 \sim 5\text{ kHz}$
- Output sound pressure level 90 dB/W (1 m)
- Input 100W (Mus.)
- m_0 26.5 g
- Q_0 0.36
- Effective vibration radius (a) 8.0 cm
- Magnet weight 721 g
- Total weight 2.44 kg

Thiele-Small-Parameter:

- $F_0 = 28\text{ Hz}$
- $R_e = 7.3\ \text{Ohm}$
- $Q_{ms} = 3.07$
- $Q_{es} = 0.44$
- $Q_{ts} = 0.39$
- $V_{as} = 60\text{ l}$
- $\text{SPL} = 88\text{ dB}$